

VECTOR DUOTEK >140<

FILAMENT-WHITE™ 2,700° CRI 90 + TriRGB LINEAR LED FIXTURE

FEATURES

Filament-White 2700°K CRI 90 Ra + RGB TriColour LEDs
NICHIA, Japan LEDs
 Single bin colour consistency
 High colour rendering
 Polycarbonate body
 PWM dimming compatible

SPECIFICATION

24 Volt DC SELV 24V DC
 4 Channels (circuits)
 Common anode (+)
 7.1 mm LED-LED pitch
 14.3 mm W-W / Tri-Tri pitch
 180° beam angle
 IP66 ingress protection
 CRI Ra90 (Warm White)
 CRI Ra95 by colour mixing
 -20° ~+50°C ambient temp

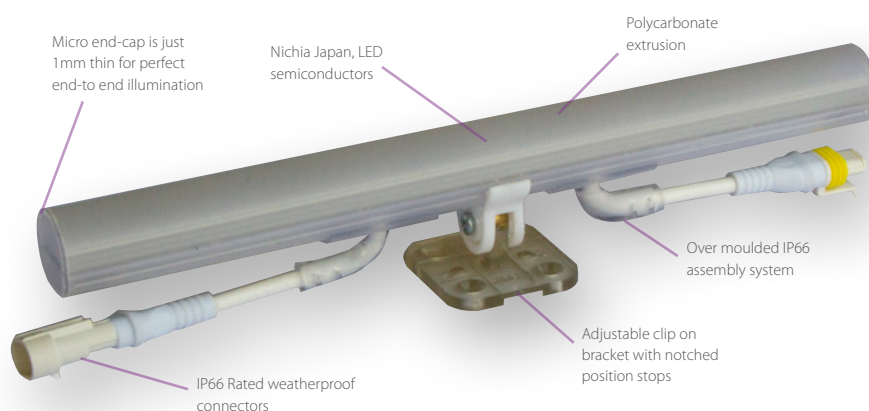
PER METER data

70 x Filament-White LEDs
 24 Watts (1.0A) - 2,400lm
 70 x TriRGB LEDs
 16 Watts (0.7A) - 450lm
 140 x LEDs TOTAL
 40 Watts (1.7A) - 2,950lm

PER MODULE data

100 mm PCB modules
 (10 modules per meter)
 7 x Filament-White LEDs
 2.4 Watts (100 mA) - 240lm
 7 x TriRGB LEDs
 1.6 Watts (67mA) - 45lm
 12 x LEDs TOTAL
 4.0 Watts (167mA) - 295lm

VECTOR DUOTEK provides end-to-end lines of light by the combination of Filament-White & TriRGB LED technologies



VECTOR DUOTEK >140< provides modular end-to-end illumination ideal for defining building or set outlines. Utilising a specially engineered end-cap system that is only 1mm thin to provide seamless vectors of light.

VECTOR DUOTEK >140< is powered by high-efficiency, high CRI of 90 Ra, Filament-White 2700° Kelvin LEDs carefully combined with TriRGB colour mixing LED devices to provide endless colour mixing capabilities and true warm filament type white from the same fixture. Combining Filament-White and TriRGB sources allows for creation of clean cool white with a very high CRI of 95 Ra.

VECTOR DUOTEK >140< can be colour controlled and smoothly dimmed, using external low voltage dimmer drivers even at very low brightness levels.

VECTOR DUOTEK >140< is available in lengths from 100 to 2000mm (pto) allowing for utilisation even on complex architectural features.

[VECTOR is also available in MONO or TriRGB options]



VECTOR DUOTEK >140<

FILAMENT-WHITE™ 2,700° CRI 90 + TriRGB LINEAR LED FIXTURE

POWER SUPPLY

VECTOR 24V is a SELV product

Use only SELV (Safety Extra Low Voltage) regulated power supplies of 24 Volts DC maximum

Use PWM drivers with common anode (+) outputs
Make all connections before energising system

Ensure power supply voltage, LED driver and LED fixture voltage are compatible

Keep cable runs to <15m to reduce voltage drop

ENVIRONMENT

VECTOR is operates at ambient temperatures of -20° ~ +50° Centigrade

Ensure that adequate cooling (or heating) is provided

MAINTENANCE

Schedule regular inspection, refer to our warranty document for additional information

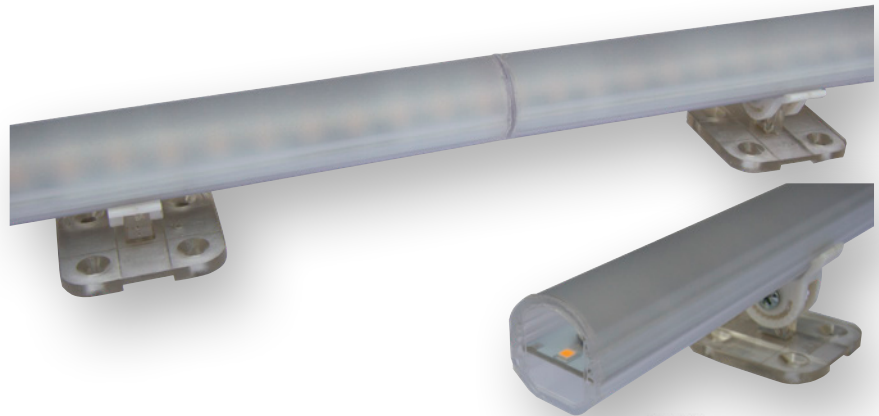
WARRANTY

5 Years, back to base

LED LIFE

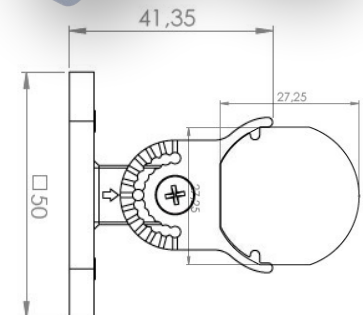
Up-to 25,000 hours at high power, 100,000 hours in dynamic use.

CODE: VRDT140-LENGTH



VECTOR DuoTek Cable Colour Code		
FUNCTION	Cable Colour	Polarity
COMMON +	Yellow	+
Red -	Brown	-
Green -	Green	-
Blue -	Grey	-
White	White	-

Ensure correct polarity before energising



MODEL	LENGTH* mm	LEDs White	LEDs RGB	LEDs Total	Power (W) total	Flux (lm)	Current (A)	Weight (kg)
VRDT140-100	102	7	7	14	4	300	0.17	0.13
VRDT140-200	202	14	14	28	8	600	0.33	0.25
VRDT140-300	302	21	21	42	12	900	0.50	0.38
VRDT140-400	402	28	28	56	16	1,200	0.67	0.50
VRDT140-500	502	35	35	70	20	1,500	0.84	0.63
VRDT140-600	602	42	42	84	24	1,800	1.00	0.75
VRDT140-700	702	49	49	98	28	2,100	1.17	0.88
VRDT140-800	802	56	56	112	32	2,400	1.33	1.00
VRDT140-900	902	63	63	126	36	2,700	1.49	1.13
VRDT140-1000	1002	70	70	140	40	3,000	1.67	1.25
VRDT140-1100	1102	77	77	154	44	3,300	1.84	1.38
VRDT140-1200	1202	84	84	168	48	3,600	2.00	1.50
VRDT140-1300	1302	91	91	182	52	3,900	2.17	1.63
VRDT140-1400	1402	98	98	196	56	4,200	2.34	1.75
VRDT140-1500	1502	105	105	210	60	4,500	2.51	1.88
VRDT140-1600	1602	112	112	224	64	4,800	2.68	2.00
VRDT140-1700	1702	119	119	238	68	5,100	3.85	2.13
VRDT140-1800	1802	126	126	252	72	5,400	3.02	2.25
VRDT140-1900	1902	133	133	266	76	5,700	3.19	2.38
VRDT140-2000	2002	140	140	280	80	6,000	3.36	2.50

*Including 2mm for end caps