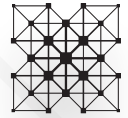


# SKYLINE ECO40



HIGH EFFICIENCY, LINEAR LED FIXTURES IN MANY CONFIGURATIONS

## FEATURES

- NICHIA**, Japan LEDs.
- High efficiency 155lm/W LEDs.
- Single bin colour consistency with order repeatability.
- Stylish curved aluminium body.
- Minimal end-caps with no dark spots between luminaires.
- Twenty length options for project flexibility up-to 2m.
- IP67+ PreSure™ validation.
- TIR lens optics in 4 options.
- Optional DMX/RDM, DALI or Cloud-Drive™ control.

## SPECIFICATION

- System efficiency ~105lm/W
- >60,600 hours LED life (L80).
- Colour rendering >80Ra
- 1/2 Channels (8/16bit mode)
- 25mm LED/lens pitch.
- 12°, 24°, 36° or 15x60° lenses.
- IP67+ ingress protection.
- IK8 impact resistance.

## CONTROL

- Optional Art-Net over Wi-Fi, DMX-512/RDM or DALI.

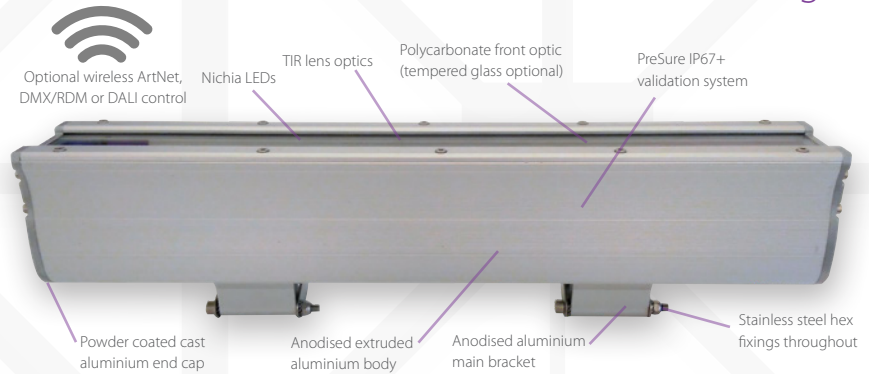
## PER METRE data

- 40 x Nichia LEDs (1.3W rated)
- 40 LED Watts (4,200lm)
- (lower power models also available)

## LED COLOUR OPTIONS

- Ember-White™ 2,000°K
- Glow-White™ 2,000°K
- Candle-White™ 2,500°K
- Filament-White™ 2,700°K
- Warm-White 3,000°K
- Medium-White 4,000°K
- Cool-White 6,000°K

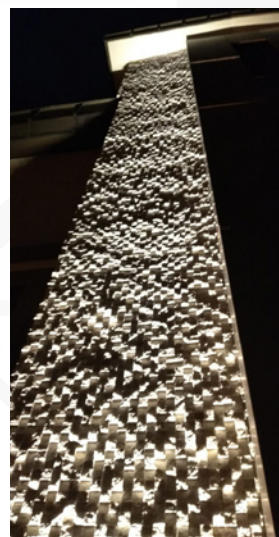
SKYLINE ECO40 provides linear LED illumination specifically designed to enhance building architecture and set designs.

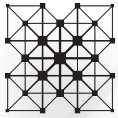


SKYLINE ECO40 is powered by market leading Japanese, Nichia LEDs, providing highly efficient single colour white light with options from beautiful 2,000° Kelvin Ember-White™ up-to 6,000° Kelvin colour temperatures.

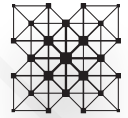
SKYLINE ECO40 is powered directly from the mains with optional dimming control by Cloud-Drive wireless control from Art-Net broadcast compatible controllers allowing control cable free fast and flexible deployment. Alternatively, traditional wired DMX-512 control with RDM remote configuration, or DALI control options are available.

SKYLINE ECO40 is available from 100 to 2000mm (see over) allowing for utilisation even on complex structures.





# SKYLINE ECO40



HIGH EFFICIENCY, VERSATILE LINEAR LED FIXTURES

## POWER SUPPLY

SKYLINE E40 MV-INT  
90-264 Volts AC at 47-63 Hz.  
SKYLINE E40 MV-EU  
220-240 Volts AC at 48-52 Hz.  
Supply up-to max 10 metres  
of SL-E40 from a type C MCB.  
SKYLINE E40 MV must be  
earthed/grounded class I.

## ENVIRONMENT

Operate at ambient  
temperatures of -20°~+50°C  
and not in direct sunlight.

## INGRESS

SKYLINE E40 is suitable for  
exterior applications and is  
tested to IP67.

## MAINTENANCE

Schedule regular inspection  
and service, refer to our  
warranty document for  
additional information.

## WARRANTY

5 Years, back to base.

## ESTIMATED LED LIFE

LM-80/TM21 projection:  
>60,600 hours L80 B10

## MANUFACTURE

Designed and manufactured  
by AXALIGHT in Europe

## OTHER MODELS

QUAD, DuoTek, Mono, Low  
Voltage, Remote CV drivers  
and many more, please call.

## ORDER CODES

SL-E40-TEMP-BEAM-  
LENGTH-MV-CD/DMX/DALI

**AXALIGHT**

Control options:

Mains (full/non dim)

Cloud-Drive  
(ArtNet/Wi-Fi)

DMX-512  
(DMX/RDM)

DALI SLAVE



### CLOUD-DRIVE FEATURES

Art-Net over Wi-Fi  
8 or 16 bit control  
32bit smoothing algorithm  
Power-on level recall  
Wireless setup



### INTERNET FEATURES

Firmware updates  
Remote support  
Bespoke software  
Visit [axalight.com](http://axalight.com)  
for more information



### DMX/RDM FEATURES

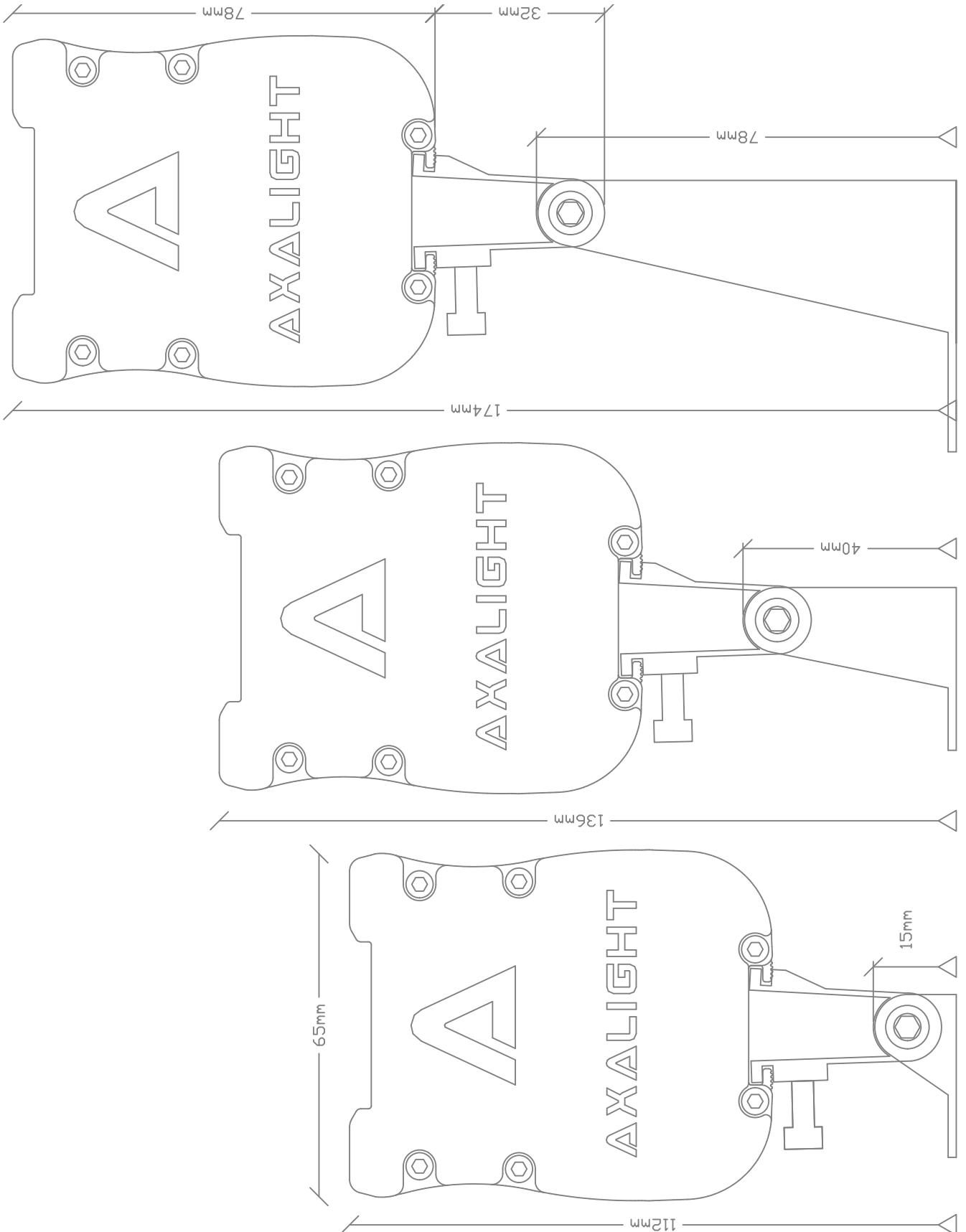
DMX-512 control  
16/8 bit dimming  
Smoothing  
RDM remote  
configuration

MODEL	LENGTH <sup>1</sup> mm	LEDs	LED Power <sup>2</sup> (W)	Flux <sup>2</sup> (lm)	Supply Power <sup>2</sup> (W)	Weight (kg)	Cloud Drive	DMX RDM	DALI SLAVE
SL-E40-100-MV <sup>3</sup>	115	4	4	420	4.6	0.4	x	x	x
SL-E40-200-MV	215	8	8	840	9.0	0.7	o	o	o
SL-E40-300-MV	315	12	12	1,260	13.4	1.1	o	o	o
SL-E40-400-MV	415	16	16	1,680	17.9	1.4	o	o	o
SL-E40-500-MV	515	20	20	2,100	22.4	1.8	o	o	o
SL-E40-600-MV	615	24	24	2,520	26.9	2.1	o	o	o
SL-E40-700-MV	715	28	28	2,940	31.4	2.5	o	o	o
SL-E40-800-MV	815	32	32	3,360	35.8	2.8	o	o	o
SL-E40-900-MV	915	36	36	3,760	40.3	3.2	o	o	o
SL-E40-1000-MV	1015	40	40	4,200	44.8	3.5	o	o	o
SL-E40-1100-MV	1115	44	44	4,620	49.3	3.9	o	o	o
SL-E40-1200-MV	1215	48	48	5,040	53.8	4.2	o	o	o
SL-E40-1300-MV	1315	52	52	5,880	58.2	4.6	o	o	o
SL-E40-1400-MV	1415	56	56	6,300	62.7	4.9	o	o	o
SL-E40-1500-MV	1515	60	60	6,300	67.2	5.3	o	o	o
SL-E40-1600-MV	1615	64	64	6,720	71.7	5.6	o	o	o
SL-E40-1700-MV	1715	68	68	7,140	76.2	6.0	o	o	o
SL-E40-1800-MV	1815	72	72	7,560	80.6	6.3	o	o	o
SL-E40-1900-MV	1915	76	76	7,980	85.1	6.7	o	o	o
SL-E40-2000-MV	2015	80	80	8,400	89.6	7.0	o	o	o

<sup>1</sup>Including 15mm for end caps - <sup>2</sup>delivered@full - <sup>3</sup>control options not available - o=optional

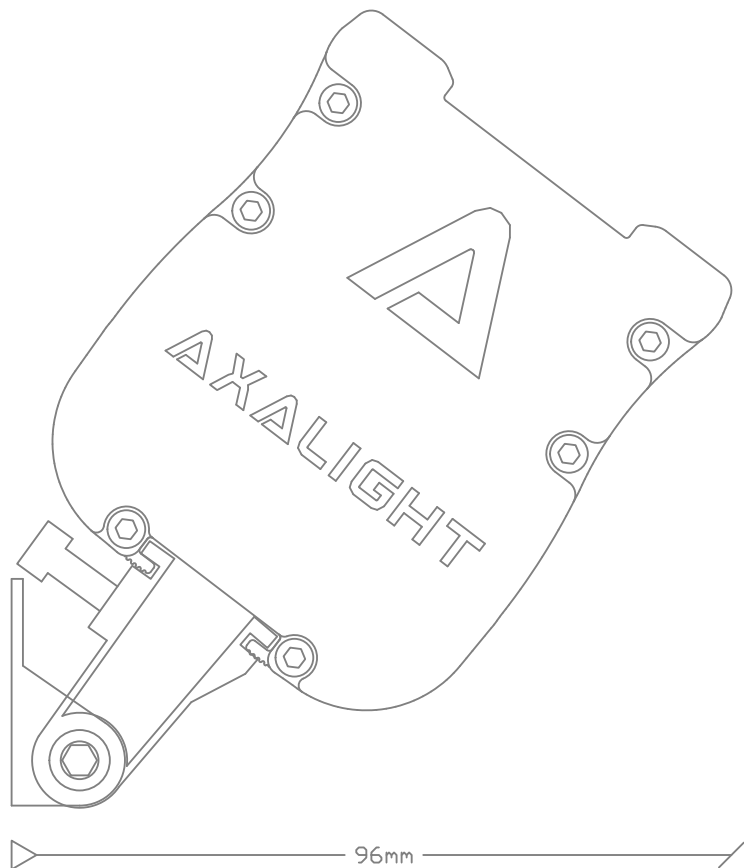
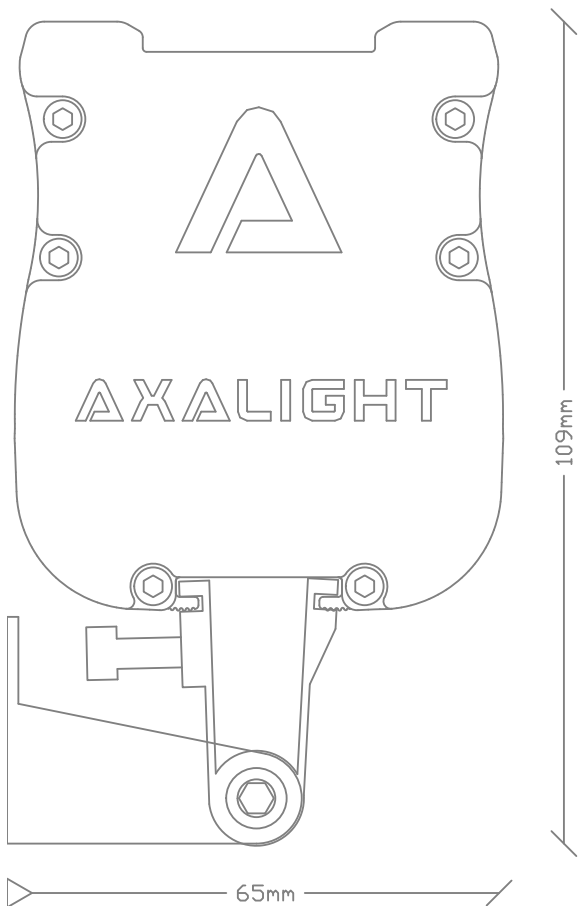
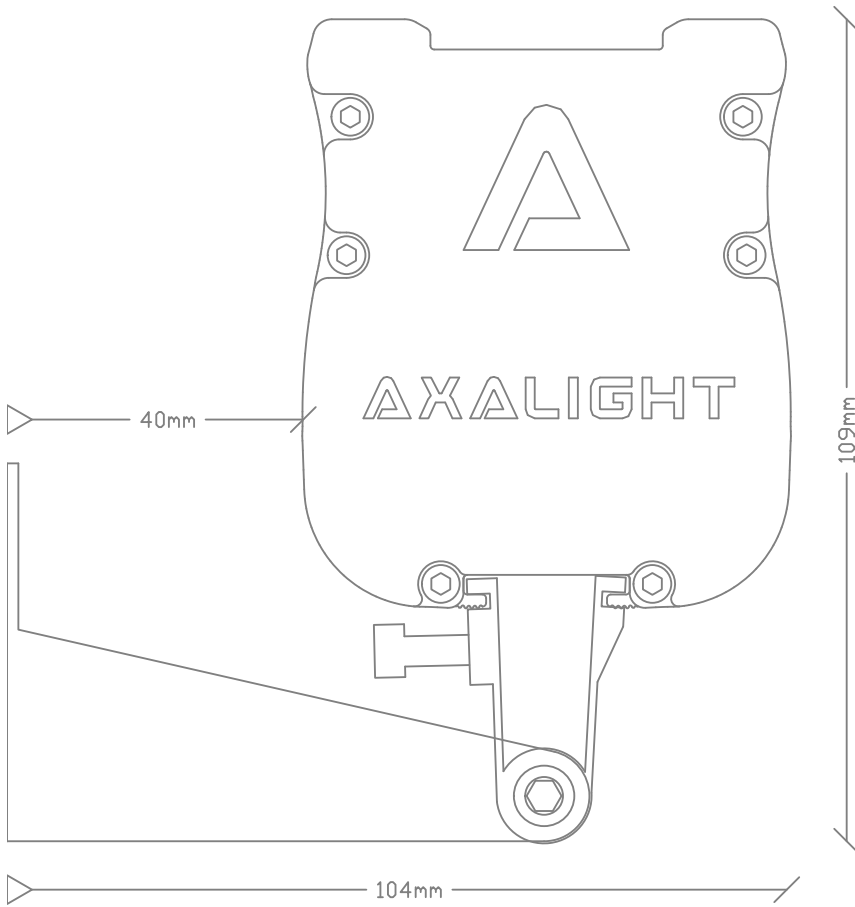
SKYLINE DIMENSIONS - GROUND/CEILING MOUNTING

Actual size @A4 1:1



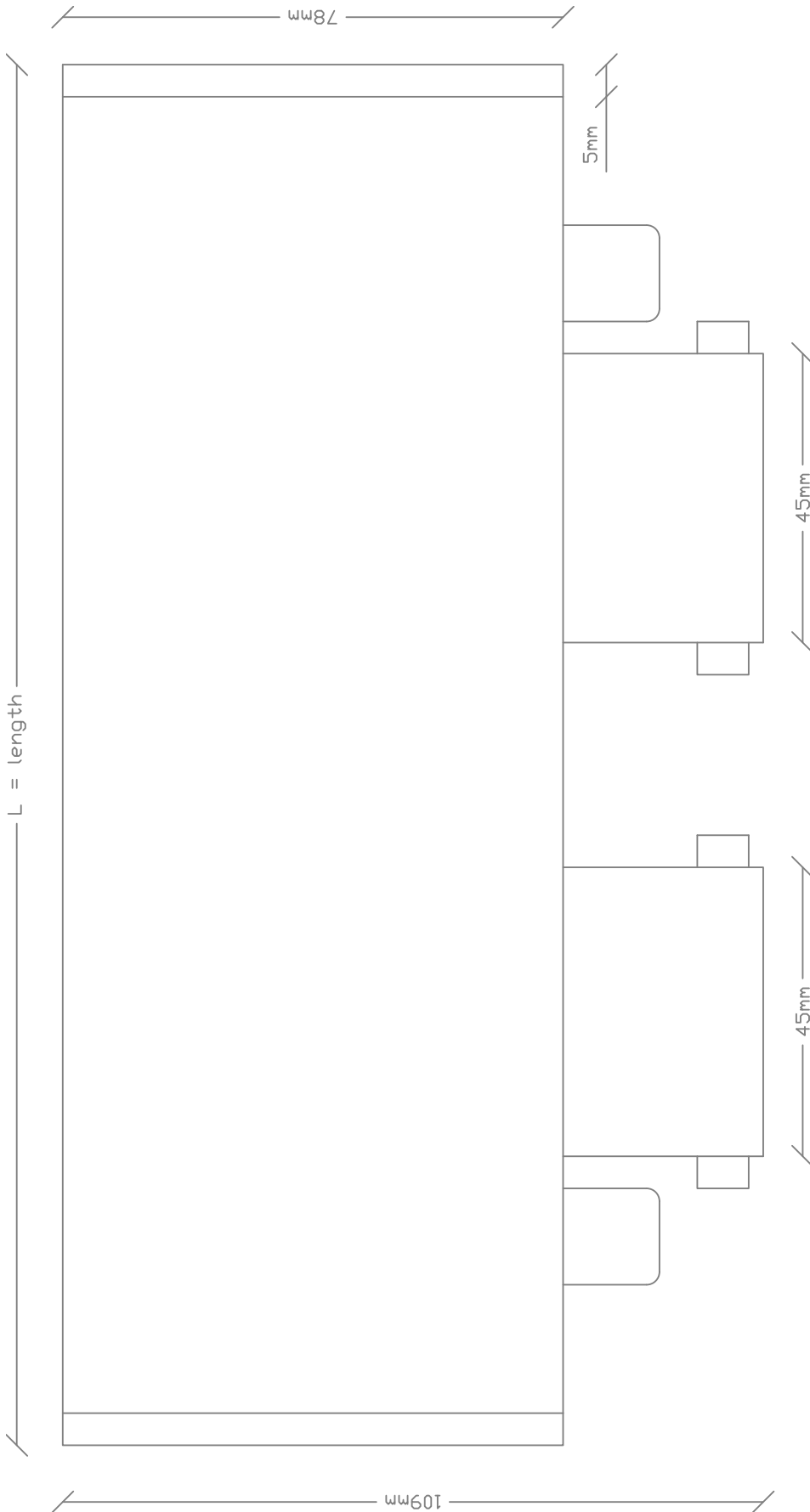
SKYLINE DIMENSIONS - WALL MOUNTING

Actual size @A4 1:1



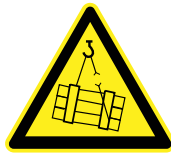
SKYLINE DIMENSIONS - FIXTURE LENGTH

Actual size @A4 1:1



# SKYLINE MV

## SKYLINE MV - MAINS VERSION - SAFETY INSTRUCTIONS & INFORMATION



### IMPORTANT INFORMATION!

Read and fully understand the following important safety information.

### PROFESSIONAL INSTALL

AXALIGHT products require professional installation by experienced lighting system integrators.

### LOCAL REGULATIONS

Installations must be carried out in compliance with local building standards. Consult your local council for codes.

### ELECTRICAL

Installation must comply with all local electrical regulations and performed qualified persons.

### RISK OF ELECTRIC SHOCK

Do not open enclosure, there are no user serviceable parts inside.

### SUSPENSION

Ensure mounting points and equipment can support 10x product weight. Ensure fixings are corrosion resistant. Consult a mechanical/structural engineer for clarification.

### BURNS & FIRE

Always allow free airflow around the product, never cover with any insulating or flammable material.

### HIGH LUMEN OUTPUT

Do not look directly into the light source at close range.

### ENVIRONMENT

SKYLINE operates at ambient temperature of -20° ~ +40°C.

### INGRESS PROTECTION

Exterior/interior use, tested to IP67. Protect from adverse storms, hurricanes, flooding.

### SUBMERSION

Never submerge in water or liquid, not to be used near swimming pools/fountains.

### CABLE TERMINATION

For exterior applications cable connections must be maintained at IP67.

### DIRECT SUNLIGHT

Do not produce light when in direct sunlight.

### VISUAL INSPECTION

Perform regular visual inspections and report any malfunction or degradation.

### SERVICE & REPAIR

Do not attempt repair, for service return to your AXALIGHT service centre.

### ENVIRONMENTAL

Do not dispose in landfill, repair, upgrade or recycle is available from AXALIGHT.



### MAINS VOLTAGE SUPPLY

Grounding is mandatory!

MODEL	VOLTAGE	FREQUENCY
MV-EU	220~240 V AC	48-52 Hz
MV-INT	90~264 V AC	47-63 Hz

### POWER REQUIREMENTS

(SEE PAGE TWO)

### CABLE COLOUR CODING

Green/Yellow	Ground / Earth	⏚
Blue	Neutral	N
Brown	Live	L

### CIRCUIT PROTECTION

Supply maximum of 750W of SKYLINE MV from a MCB and protect with a RCCD.

### DMX / RDM CONNECTION

SKYLINE DMX is controlled using the DMX512 / RDM protocol, full details are available from [www.esta.org](http://www.esta.org)

Screen/Drain	Data common	c	1
BLUE	DMX DATA	-	2
RED	DMX DATA	+	3

### DMX CHANNEL ALLOCATION

LED Colour	8bit	16bit coarse	16 bit fine
Intensity %	1	1	2

### CLOUD-DRIVE

SKYLINE CLOUD-DRIVE is controlled using the ART-NET protocol, full details are available from [www.axalight.com/cloudrive/](http://www.axalight.com/cloudrive/)

**AXALIGHT**  
Lighting Your Way™