

MICRALINE >140<

DIRECT VIEW HOMOGENOUS LINEAR LIGHTING FIXTURE

FEATURES

Fully even illumination
 Samsung LEDs ~115lm/W
 20 Watts per meter (custom lower powers available)
 Aluminium extrusion body
 Polycarbonate opal optic
 PWM dimming compatible
 LEDs under-run (-70%) for life expectancy >100,000 hours
 5 Year Warranty

SPECIFICATIONS

24 Volt DC Supply
 Max 100 W (4A) per run
 7.14mm LED pitch
 140° beam angle
 IP44 indoor or IP65 outdoor
 CRI of 90Ra (Filament-White)

Per Metre Data

140 x Samsung 0.5W LEDs
 20 Watts (0.8A) - 1,440lm

Per Module Data

50mm rigid PCB modules
 (20 per meter)
 7 x Samsung 0.5W LEDs
 1.0 Watts (42mA) - 72lm

Options

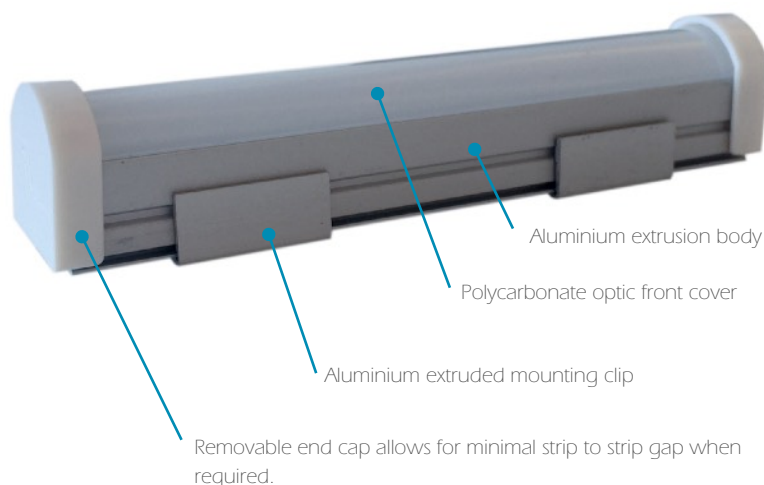
Filament-White™ 2,700°K
 Warm-White 3,000°K
 Medium-White 4,000°K
 Cool-White 6,500°K

CODE:ML140-LL-CCT-IP

Carefully engineered to provide homogeneous direct view illumination.



MICRALINE >140< provides homogenous quality linear illumination packaged in sleek aluminium extrusion with an opal polycarbonate optic. MICRALINE is ideal for direct view and cove lighting applications in offices, hotels, ballrooms, retail, and restaurants.



MICRALINE >140<

DIRECT VIEW HOMOGENOUS LINEAR LIGHTING FIXTURE

VOLTAGE - SELV

24 Volt DC maximum
Observe correct polarity
Use constant voltage type driver / power supply

POWER

Use PSU with minimum capacity of 20 Watts per metre of ML140

CURRENT

Use PSU with current capacity of 0.8 Amps per metre of ML140 installed

LINKING

ML140 can be linked to a maximum run of 4 metres

DUTY CYCLE

ML140 is designed for up-to 100% duty cycle operation

TEMPERATURE

Ensure good ventilation and ensure ambient temperature of -20° ~+50°C

INGRESS

AXALINE IP65: Weatherproof for exterior applications
AXALINE IP44: Protect from moisture and high humidity

MAINTENANCE

No special or periodic maintenance procedures are required

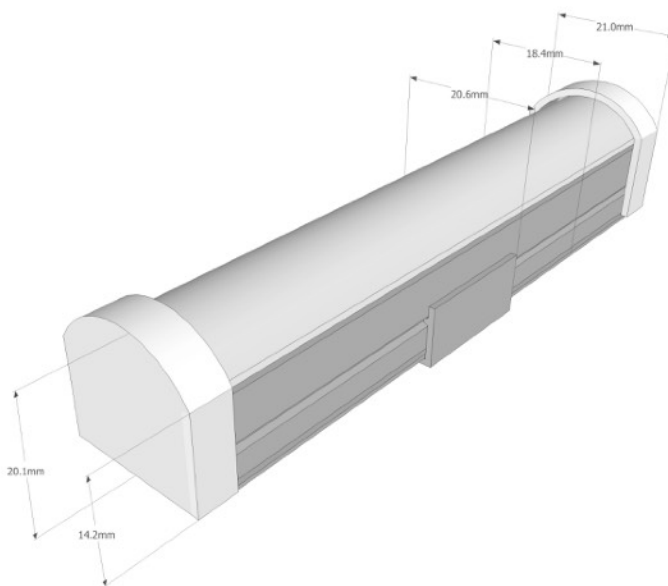
CLEANING

Wipe with damp cloth of mild soap solution.

Installation & maintenance

MICRALINE may be installed in any orientation using the supplied mounting clips. Whist the unit is low power allow for heat dissipation especially if enclosed fully enclosed in other strictures.

Dimensions



MICRALINE >140< lengths:

50, 100, 150, 200, 250, 300, 350, 400, 450, 500, 550, 600, 650, 700, 750, 800, 850, 900, 950, 1000, 1050, 1100, 1150, 1200, 1250, 1300, 1350, 1400, 1450, 1500, 1550, 1600, 1650, 1700, 750, 1800, 1850, 1900 1950 & 2000 mm (+ 15 mm with end caps)

