

INLINE DUOTEK 140

FILAMENT-WHITE™ 2,700° CRI 90 + TriRGB LINEAR LED FIXTURE

FEATURES

Filament-White 2700°K CRI 90 Ra + RGB TriColour LEDs
NICHIA, Japan LEDs
 Single bin colour consistency
 High colour rendering
 Anodised aluminium body
 Polycarbonate front optic
 PWM dimming compatible

SPECIFICATION

24 Volt DC SELV 24V DC
 4 Channels (circuits)
 Common anode (+)
 7.1 mm LED-LED pitch
 14.3 mm W-W / Tri-Tri pitch
 140° beam angle
 IP44 ingress protection
 CRI Ra90 (Warm White)
 CRI Ra95 by colour mixing
 -20° ~+50°C ambient temp

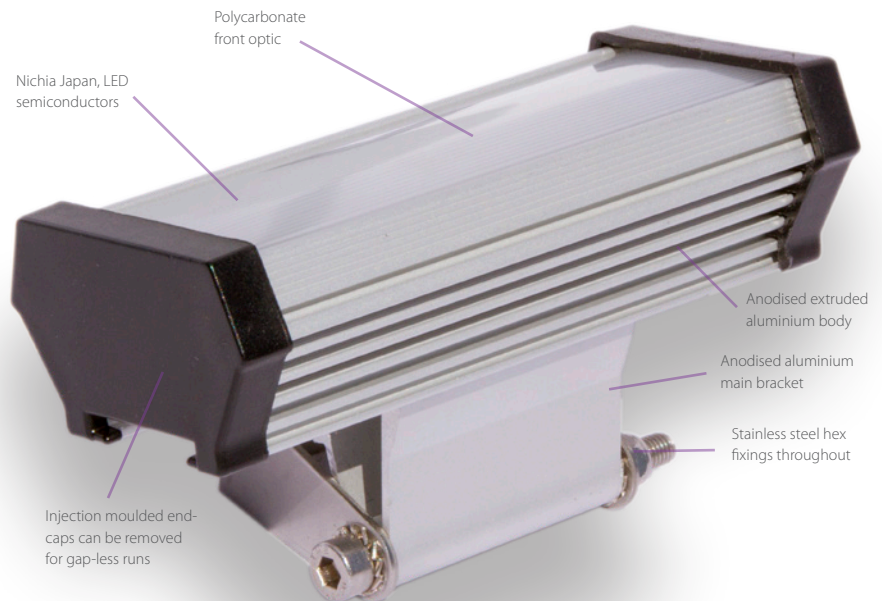
PER METER data

70 x Filament-White LEDs
 24 Watts (1.0A) - 2,520lm
 70 x TriRGB LEDs
 16 Watts (0.7A) - 450lm
 140 x LEDs TOTAL
 40 Watts (1.7A) - 2,970lm

PER MODULE data

100 mm PCB modules
 (10 modules per meter)
 7 x Filament-White LEDs
 2.4 Watts (100 mA) - 252lm
 7 x TriRGB LEDs
 1.6 Watts (67mA) - 45lm
 12 x LEDs TOTAL
 4.0 Watts (167mA) - 297lm

INLINE DUOTEK provides the perfect combination of Filament-White & TriRGB LED technologies specifically designed to enhance interior architecture



INLINE DUOTEK >140< is powered by high-efficiency, high CRI of 90 Ra, Filament-White 2700° Kelvin LEDs carefully combined with TriRGB colour mixing LED devices to provide endless colour mixing capabilities and true warm filament type white from the same fixture. Combining Filament-White and TriRGB sources allows for creation of clean cool white with a very high CRI of 95 Ra.

INLINE DUOTEK >140< can be colour controlled and smoothly dimmed, using external low voltage dimmer drivers even at very low brightness levels.

INLINE DUOTEK >140< is available in lengths from 100 to 2000mm (pto) allowing for utilisation even on complex architectural features.



INLINE DUOTEK 140

FILAMENT-WHITE™ 2,700° CRI 90 + TriRGB LINEAR LED FIXTURE

POWER SUPPLY

INLINE 24V is a SELV product
Use only SELV (Safety Extra Low Voltage) regulated power supplies of 24 Volts DC maximum

Use PWM drivers with common anode (+) outputs
Make all connections before energising system

Ensure power supply voltage, LED driver and LED fixture voltage are compatible

Link up to 5A (124 W) of fixtures maximum (~3m)

Keep cable runs to <15m to reduce voltage drop
(Y split and feeding from both end is allowable)

ENVIRONMENT

INLINE is operates at ambient temperatures of -20° ~ +50° Centigrade

MAINTENANCE

Schedule regular inspection and service, refer to our warranty document for additional information

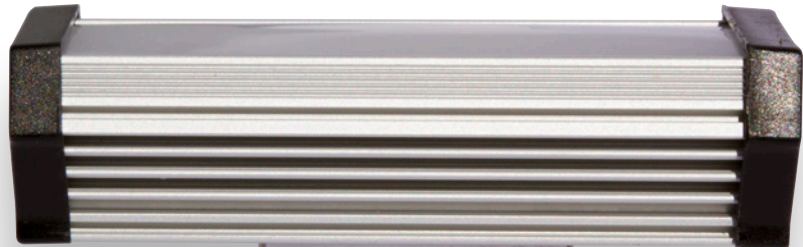
WARRANTY

5 Years, back to base

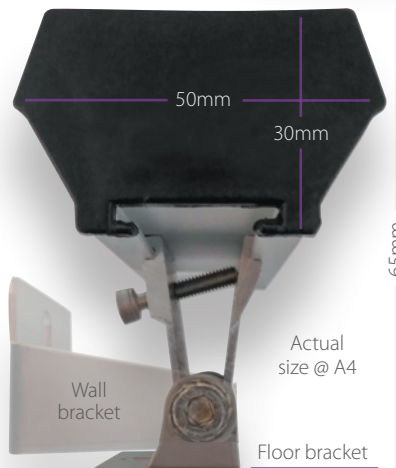
LED LIFE

Up-to 25,000 hours at high power, 100,000 hours in dynamic use.

CODE: ILDT140-LENGTH



Actual size @ A4



Actual size @ A4

INLINE DuoTek Cable Colour Code		
FUNCTION	Cable Colour	Polarity
COMMON +	Yellow	+
Red -	Brown	-
Green -	Green	-
Blue -	Grey	-
White	White	-
Ensure correct polarity before energising		

MODEL	LENGTH* mm	LEDs White	LEDs RGB	LEDs Total	Power (W) total	Flux (lm)	Current (A)	Weight (kg)
ILDT140-100	105	7	7	14	4	300	0.17	0.15
ILDT140-200	205	14	14	28	8	600	0.33	0.30
ILDT140-300	305	21	21	42	12	900	0.50	0.45
ILDT140-400	405	28	28	56	16	1,200	0.67	0.60
ILDT140-500	505	35	35	70	20	1,500	0.84	0.75
ILDT140-600	605	42	42	84	24	1,800	1.00	0.90
ILDT140-700	705	49	49	98	28	2,100	1.17	1.05
ILDT140-800	805	56	56	112	32	2,400	1.33	1.20
ILDT140-900	905	63	63	126	36	2,700	1.49	1.35
ILDT140-1000	1005	70	70	140	40	3,000	1.67	1.50
ILDT140-1100	1105	77	77	154	44	3,300	1.84	1.65
ILDT140-1200	1205	84	84	168	48	3,600	2.00	1.80

*Including 5mm for end caps