

AXALINE TWIN >70<

HIGH EFFICIENCY TWIN-WHITE TUNEABLE LINEAR LIGHTING FIXTURE

FEATURES

Twin white tuneable colour
 Nichia, Japan V3 highest efficiency LEDs ~175lm/W
 Aluminium extrusion body
 Polycarbonate opaque optic
 PWM dimming compatible
 5 Year Warranty

SPECIFICATIONS

24 Volt DC Supply
 Dual LED circuits
 140° beam angle
 IP44 indoor or IP65 outdoor
 CRI of 90+Ra
 200mm rigid PCB modules

Per Metre Data

70 x Nichia 0.5W LEDs
 Total 20 Watts* (0.8A) 2300lm

White Circuit A
 35 x Nichia 0.5W LEDs
 10 Watts* (0.4A) - 1150lm
 +
 White Circuit B
 35 x Nichia 0.5W LEDs
 10 Watts* (0.4A) - 1150lm

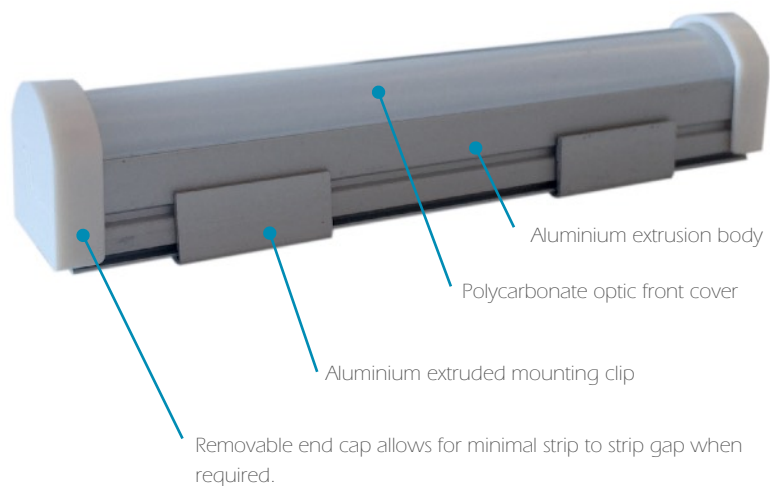
*Custom lower power versions available for orders >50m.

Options

Ember-White™ 2,000°K
 Glow-White™ 2,200°K
 Candle-White™ 2,500°K
 Filament-White™ 2,700°K
 Warm-White 3,000°K
 Medium-White 4,000°K
 Cool-White 6,000°K

CODE:ALT70-C1/C2-/IP

Carefully engineered to provide variable colour temperature adjustment.



AXALINE TWIN >70<

HIGH EFFICIENCY TWIN-WHITE TUNEABLE LINEAR LIGHTING FIXTURE

VOLTAGE - SELV

24 Volt DC maximum
Observe correct polarity
Use constant voltage type
driver / power supply

POWER

Use PSU with minimum
capacity of 20 Watts* per
metre of ALT70

CURRENT

Use PSU with current capacity
of 0.8 Amps* per metre of
ALT70 installed

LINKING

ALT70 can be linked to a
maximum run of 4 metres

DUTY CYCLE

AXALINE TWIN is designed
dynamic duty cycle operation

TEMPERATURE

Ensure good ventilation and
ensure ambient temperature
of -20° ~+50°C

INGRESS

AXALINE IP65: Weatherproof
for outdoor applications
AXALINE IP44: Protect from
moisture and high humidity

MAINTENANCE

No special or periodic
maintenance procedures are
required

CLEANING

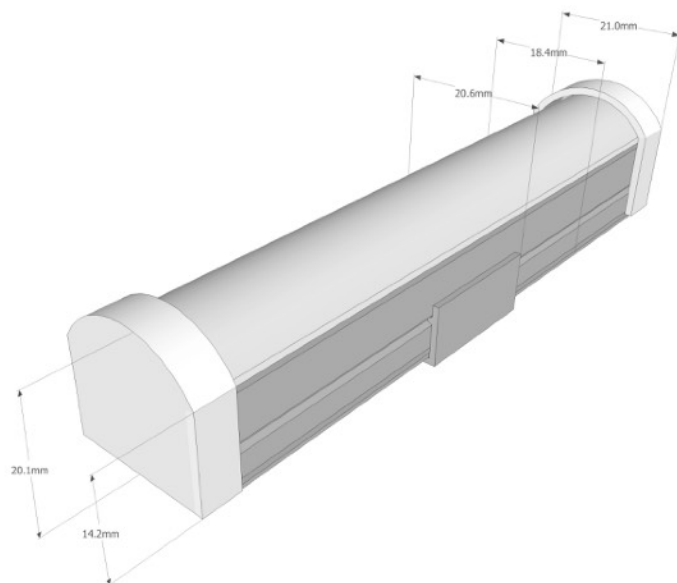
Wipe with damp cloth of mild
soap solution.

 NICHIA LEDs

Installation & maintenance

AXALINE may be installed in any orientation using the supplied mounting clips. Whilst the unit is low power allow for heat dissipation especially if enclosed fully enclosed in other structures.

Dimensions



AXALINE TWIN >70< lengths:
200, 400, 600, 800, 1000, 1200,
1400, 1600, 1800 & 2000 mm
(+ 5 mm with removable end caps)

