

AXALINE TWIN >140<

HIGH EFFICIENCY TWIN TUNEABLE LINEAR LIGHTING FIXTURE

FEATURES

Twin white tuneable colour
Nichia, Japan V3 highest efficiency LEDs ~175lm/W
Aluminium extrusion body
Polycarbonate opaque optic
PWM dimming compatible
5 Year Warranty

SPECIFICATIONS

24 Volt DC Supply
Dual LED circuits
140° beam angle
IP44 indoor or IP65 outdoor
CRI of 90+Ra
100mm rigid PCB modules

Per Metre Data

140 x Nichia 0.5W LEDs
Total 24 Watts* (1.0A) 2760lm

White Circuit A
70 x Nichia 0.5W LEDs
12 Watts* (0.5A) - 1380lm
+
White Circuit B
70 x Nichia 0.5W LEDs
12 Watts* (0.5A) - 1380lm

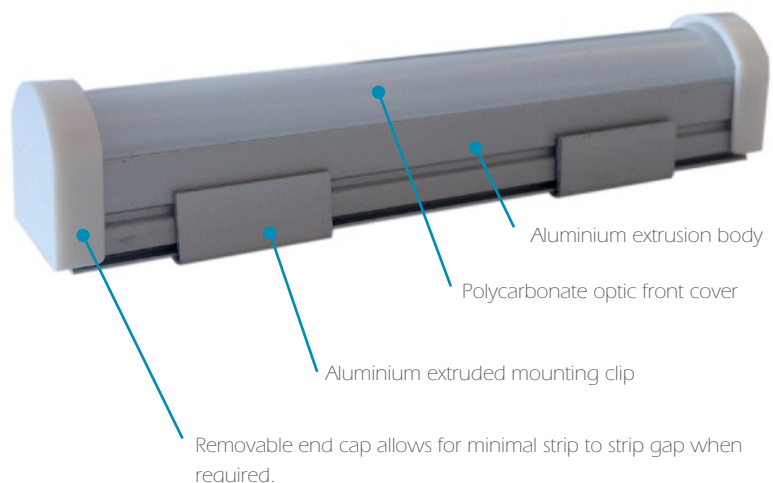
*Custom lower power versions available for orders >50m.

Options

Ember-White™ 2,000°K
Glow-White™ 2,200°K
Candle-White™ 2,500°K
Filament-White™ 2,700°K
Warm-White 3,000°K
Medium-White 4,000°K
Cool-White 6,000°K

CODE:ALT140-C1/C2-LL/IP

Carefully engineered to provide variable colour temperature adjustment.



AXALINE TWIN >140<

HIGH EFFICIENCY TWIN-WHITE TUNEABLE LINEAR LIGHTING FIXTURE

VOLTAGE - SELV

24 Volt DC maximum
Observe correct polarity
Use constant voltage type driver / power supply

POWER

Use PSU with minimum capacity of 24 Watts* per metre of ALT140

CURRENT

Use PSU with current capacity of 1.0 Amps* per metre of ALT-140 installed

LINKING

ALT140 can be linked to a maximum run of 4 metres

DUTY CYCLE

AXALINE TWIN is designed dynamic duty cycle operation

TEMPERATURE

Ensure good ventilation and ensure ambient temperature of -20° ~+50°C

INGRESS

AXALINE IP65: Weatherproof for exterior applications
AXALINE IP44: Protect from moisture and high humidity

MAINTENANCE

Check fixtures periodically and report and issues promptly

CLEANING

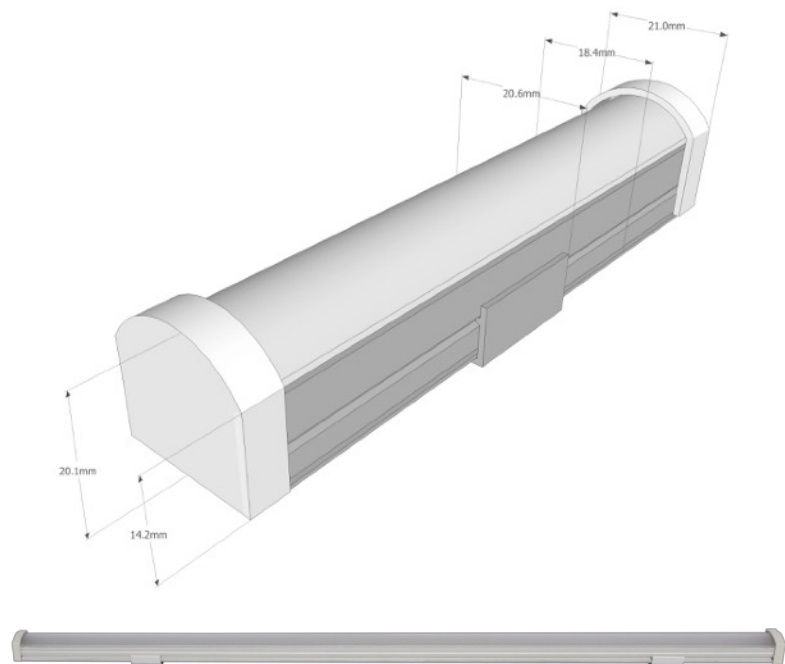
Wipe with damp cloth of mild soap solution



Installation & maintenance

AXALINE may be installed in any orientation using the supplied mounting clips. Whilst the unit is low power allow for heat dissipation especially if enclosed fully enclosed in other structures.

Dimensions



AXALINE TWIN >140< lengths:
100, 200, 300, 400, 500, 600, 700, 800, 900, 1000, 1100,
1200, 1300, 1400, 1500, 1600, 1700, 1800, 1900 & 2000 mm
(+ 5 mm with removable end caps)

