

AXALINE MONO >140<

DIRECT VIEW HOMOGENOUS LINEAR LIGHTING FIXTURE

FEATURES

Fully even illumination
 Nichia, Japan V3 highest efficiency LEDs ~175 lm/W
 High colour rendering index
 20 Watts per meter (custom lower powers available)
 Aluminium extrusion body
 Polycarbonate opaque optic
 PWM dimming compatible
 LEDs under-run (-70%) for life expectancy >100,000 hours
 5 Year Warranty

SPECIFICATIONS

24 Volt DC Supply
 Max 100 W (4A) per run
 7.14 mm LED pitch
 140° beam angle
 IP 44 indoor or IP 65 outdoor
 CRI of 90 Ra (Filament-White)

Per Metre Data

140 x Nichia 0.5W LEDs
 20 Watts (0.8A) - 2,100lm

Per Module Data

50mm rigid PCB modules
 (20 per metre)
 7 x Nichia 0.5W LEDs
 1.0 Watts (42mA) - 105lm

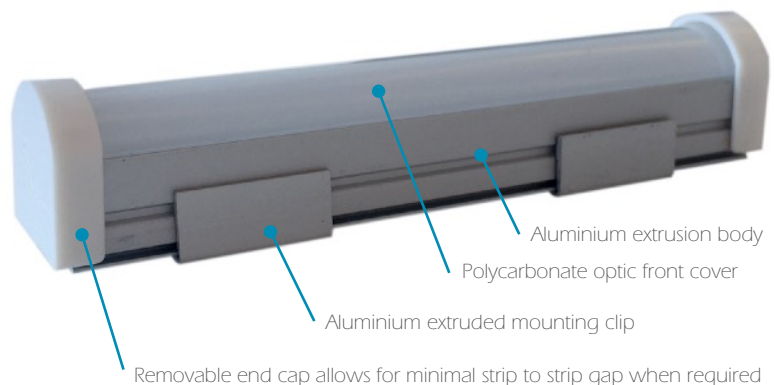
Options

Ember-White™ 2,000°K
 Glow-White™ 2,200°K
 Candle-White™ 2,500°K
 Filament-White™ 2,700°K
 Warm-White 3,000°K
 Medium-White 4,000°K
 Cool-White 6,000°K

CODE:ALM140-CCT-LL/IP

NICHIA LEDs

Carefully engineered to provide homogeneous direct view illumination.



AXALINE MONO >140<

DIRECT VIEW HOMOGENOUS LINEAR LIGHTING FIXTURE

VOLTAGE - SELV

24 Volt DC maximum
Observe correct polarity
Use constant voltage type
driver / power supply

POWER

Use PSU with minimum
capacity of 20 Watts per meter
of ALM-140

CURRENT

Use PSU with current capacity
of 0.8 Amps per meter of
ALM-140 installed

LINKING

ALM-140 can be linked to a
maximum run of 4 meters

DUTY CYCLE

ALM-140 is designed for up-to
100% duty cycle operation

TEMPERATURE

Ensure good ventilation and
ensure ambient temperature
of -20° ~+50°C

INGRESS

AXALINE IP65: Weatherproof
for exterior applications
AXALINE IP44: Protect from
moisture and high humidity

MAINTENANCE

No special or periodic
maintenance procedures are
required

CLEANING

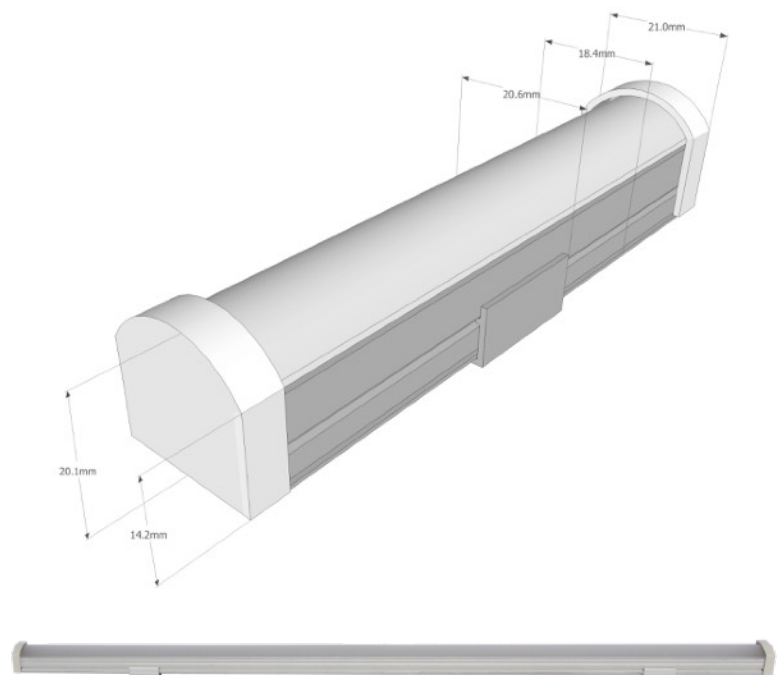
Wipe with damp cloth of mild
soap solution.

 NICHIA LEDs

Installation & maintenance

AXALINE may be installed in any orientation using the supplied mounting clips. Whilst the unit is relatively low power allow for heat dissipation especially if enclosed fully enclosed in other structures.

Dimensions



AXALINE MONO >140< lengths:
55 to 2005 mm in 50 mm increments
(inc 5 mm with end caps)

